



Note: Photo may be of a different but similar model

## Instruction Manual

**Sunblocker Shade House**  
**SKU #1820SPC - 18' Wide x 20' Long**  
**SKU #1830SPC - 18' Wide x 30' Long**  
**SKU #1840SPC - 18' Wide x 40' Long**

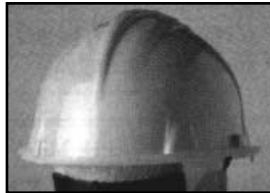
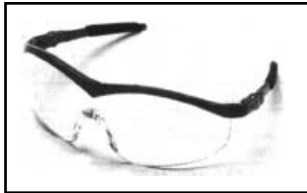
## Introduction

Thank you for purchasing the ClearSpan™ Poly Shelter. We appreciate your patronage. We hope you enjoy building and utilizing your shelter. Please read this entire instruction manual before starting to assemble your shelter. If you require assistance during the construction process you may call us at 1-888-603-4445.

## A Word About Safety

Just as we want you to be pleased with your assembled shelter, we don't want you to get hurt in the process of building it! Our suggestions include the following:

- Wear eye protection when drilling and power-screwing.
- Wear head protection when working with/under heavy parts including metal tubing.
- Wear gloves when handling metal tubing due to sharp or rough ends.
- Use a portable GFCI when working with corded power tools.
- Never erect a shelter directly under power lines.
- Be careful not to drive anchors into buried power cables.
- Do not climb on the shelter or its frame. It is not designed to support human weight.
- If the shelter is enclosed, provide proper and adequate ventilation.
- Do not store hazardous materials in the shelter without proper ventilation and precautions.
- If both ends are covered, provide proper ingress and egress to prevent entrapment.
- Do not occupy the shelter during very high winds, hurricanes, or tornadoes.
- If shelter is moved after construction, inspect shelter thoroughly before reuse.
- Use common sense at all times.



## Suggested Tools

Before you start to build your shelter you should assemble the following tools:

- Tape Measure
- Step ladder tall enough to safely work at the height of your shelter

## IMPORTANT - Read Anchoring Instructions

You must read the anchoring instructions packed with your kit prior to shelter assembly!

## Selecting a Location

It is important to select a proper location for your poly shelter. While the location may have been predetermined before you even ordered your shelter, you may want to “improve” the location before starting the assembly process.

One of the most important considerations is that the location should be level. If it is not, the shelter’s frame will not assemble or sit properly. If your location is not level, you should consider grading it before building on it. Another alternative is to provide footings which are level to support the shelter. These could be pressure-treated posts, precast concrete blocks, or poured in place footings.

Drainage is another important consideration. Rain flowing off your shelter should have a natural path to flow away from the shelter and not under or into it.

## Section A - Unpack & Identify Parts

**Step 1:** Before you begin to assemble your shelter you should first unpack the contents of your shipment. During this process you will learn what all of the various parts look like.

**Tip:** We recommend you start by laying out the contents of your shipment in an orderly fashion as shown in the photograph below. Note that your parts may look different from those shown.



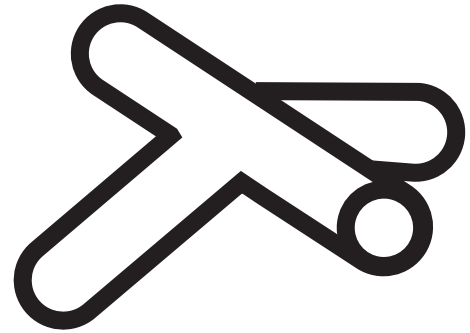
**Step 2:** Carefully go through the bill of material that came with your shelter and verify that you have all the required parts.

**Tip:** It is not necessary to open the plastic bags and count all of the fasteners at this time.

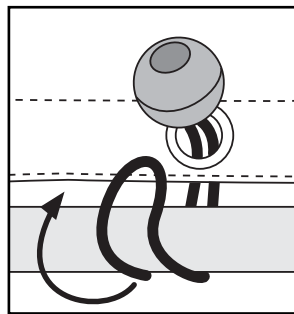
# Parts Identification



**3-Way Coupler**



**4-Way Coupler**



**Ball Tie Down**



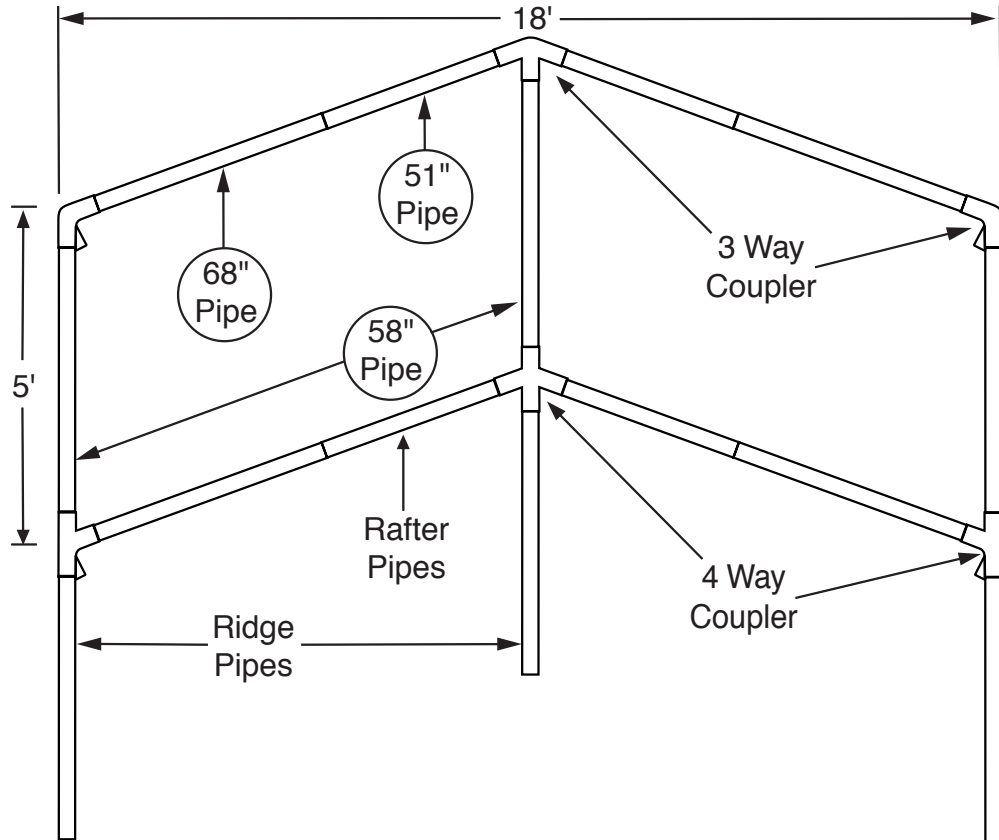
**Pipe (only swaged is shown)**



**Cover Material**

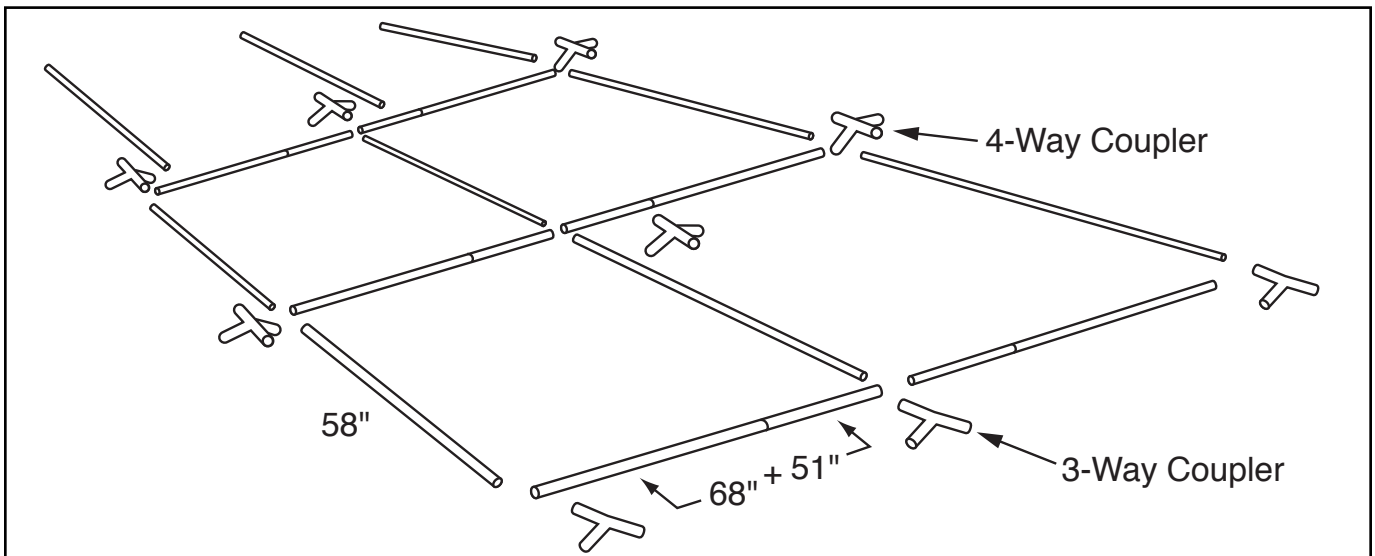
**Note: Illustrations are not to scale.**

## Section B - Assembly

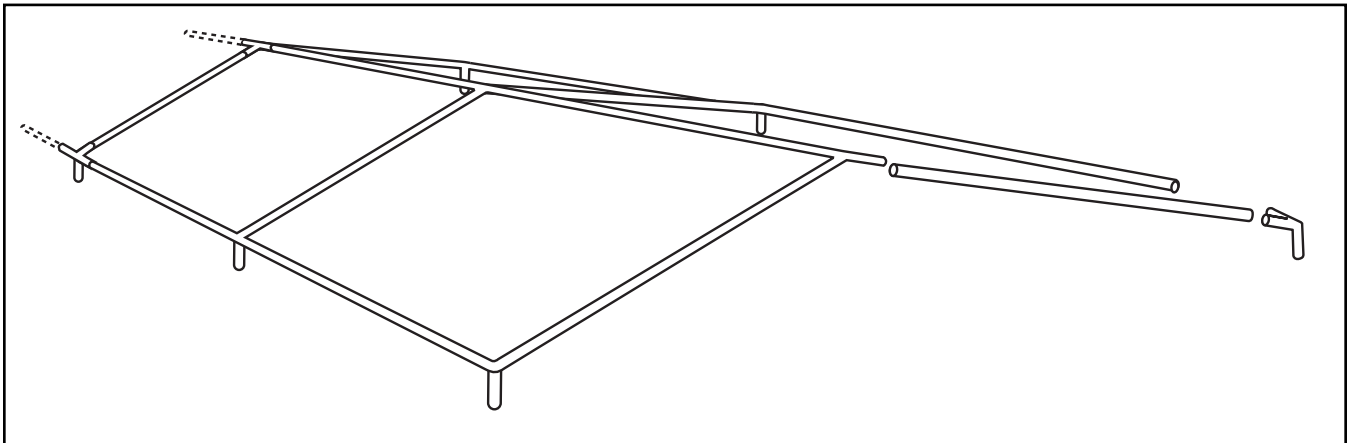
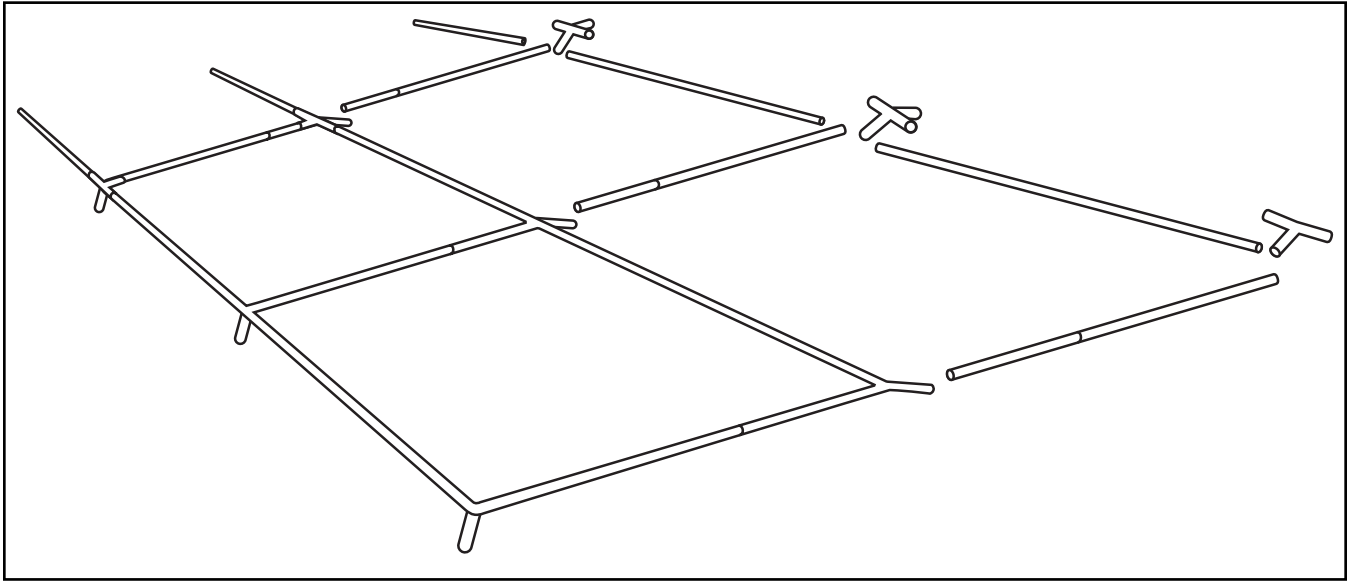


Typical 18' wide x 5' long Frame sections (2 sections shown)

- Step 1:** Locate the required number of 5' sections of ridge pipe (58" long). 20' long models need 12 pieces, 30' models need 18, and 40' models need 24.
- Step 2:** Assemble 10' sections of rafter pipe by slipping a swedged 51" pipe into a 68" pipe as shown. 20' long models need 10 assemblies, 30' models need 14, and 40' models need 18.
- Step 3:** Arrange the roof pipes on the ground adjacent to the correct 3-Way and 4-Way couplers.

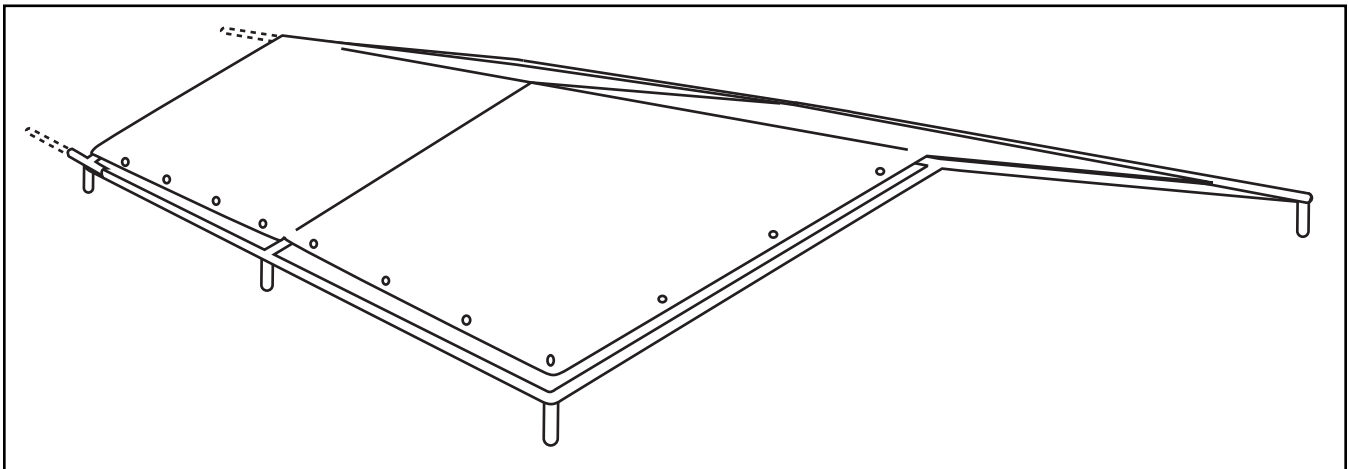


**Step 4:** Connect the pipes and couplers for the entire length of the frame as illustrated. Keep adding purlins, rafters and 4-way connectors. The Frame will always start and end within 3 way couplers.

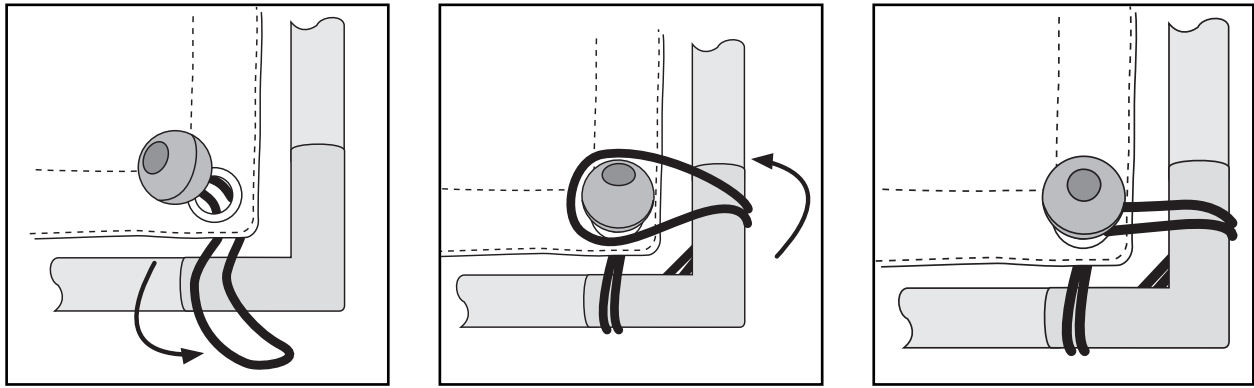


**Step 5:** Secure all tubing joints with a Tek screw into the middle of the overlap at each joint.

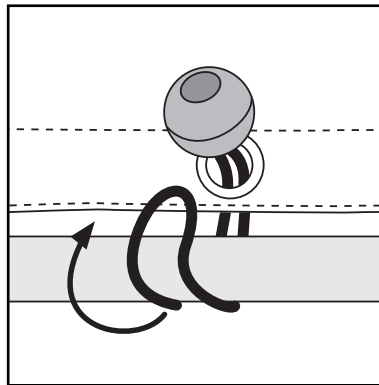
**Step 6:** Drape shade material over the roof frame as shown.



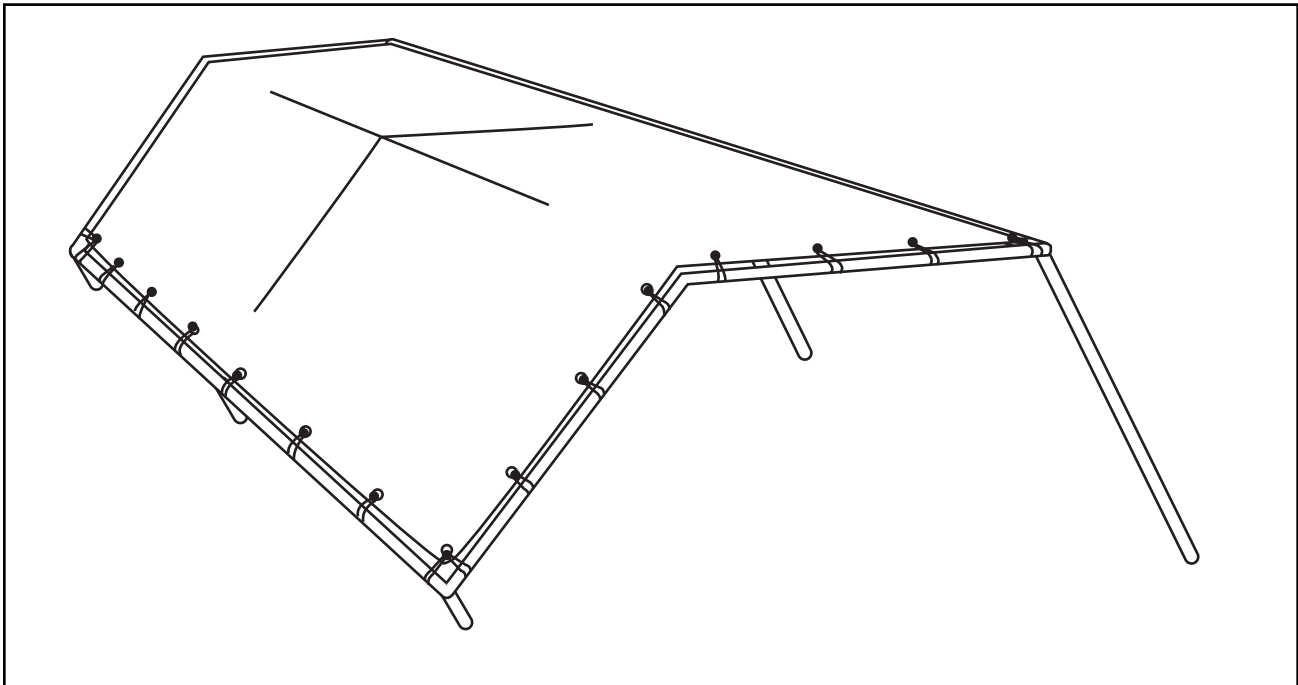
**Step 7:** Secure the corners by using the Ball Tie Downs as illustrated below.



**Step 8:** Once the corners are fastened, place Ball Tie Downs through all grommet holes and loop around pipe as illustrated.



**Step 9:** Lift one side of roof and slide in the 77" leg poles. Then lift the other side and insert the remaining leg poles.



**Step 10:** Optional Gable Ends and Side Panels are attached to the frame with Ball Tie Downs in the same manner as the Cover.



## Section C - Shelter Maintenance

Thank you for purchasing this ClearSpan™ Poly Shelter. Following instructions for assembly and proper care and maintenance of the shelter will ensure many years of exceptional performance. The following notes include several items that need periodic checking.

- Cover material must be kept taut; check and adjust tension periodically.
- Check connections and fasteners for tightness; replace and/or repair missing or damaged parts.
- Contact ClearSpan for assistance in identifying needed parts; call us toll-free at 1-888-603-4445.
- If shelter is moved after construction, inspect shelter thoroughly before reuse.
- Do not allow snow to accumulate on the cover material.
- Use a means of snow removal that will not cut or damage the cover material.
- Never attempt to climb on or stand on the shelter or its frame.
- Note that ClearSpan™ shelters (Truss Arch excepted) do not have any tested loading criteria.