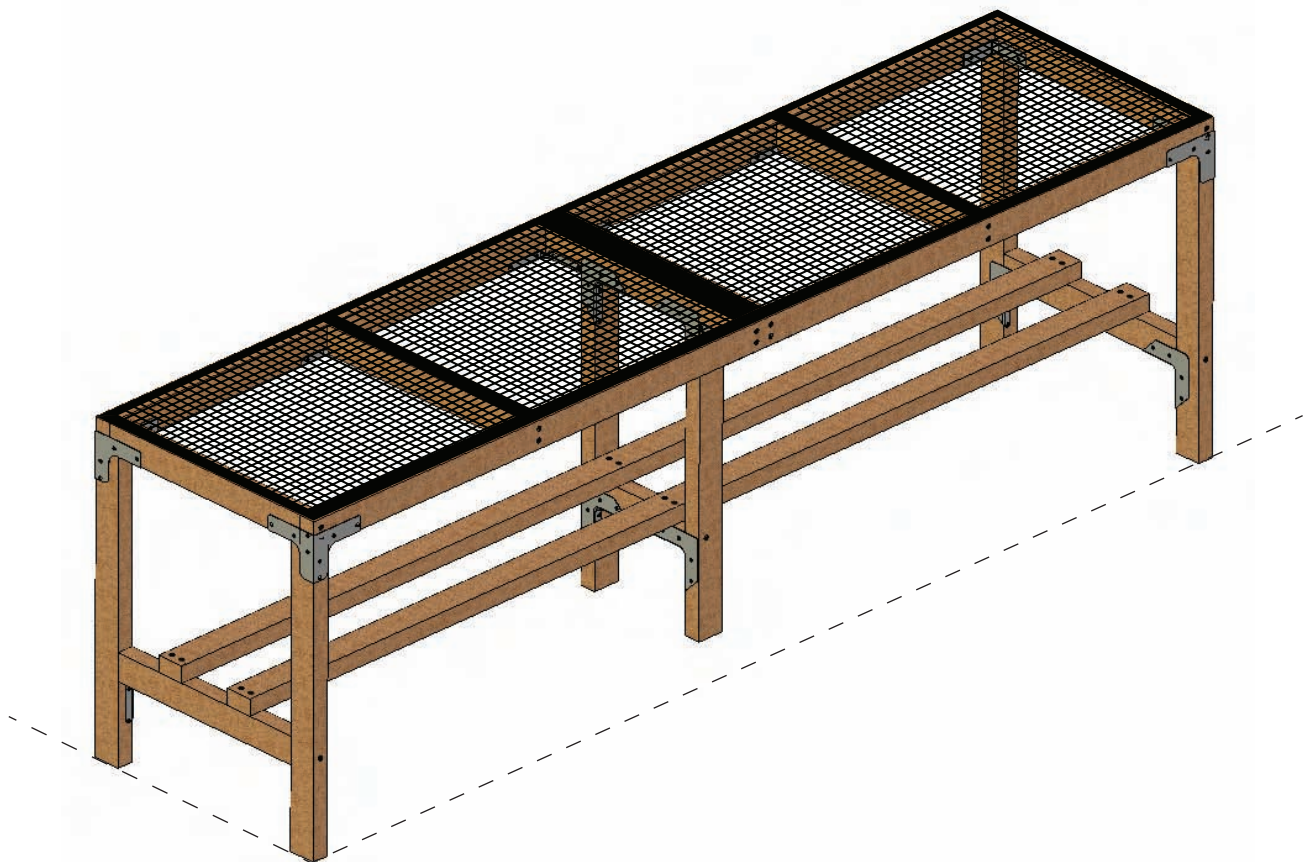


## 2' x 8' Premium Cedar Greenhouse Bench Assembly Guide



©2008 FarmTek®  
All Rights Reserved. Reproduction  
is prohibited without permission.

Revision date: 08.27.08

SKU #108290  
Premium Cedar Greenhouse Bench


Thank you for purchasing the 2' x 8' Premium Cedar Greenhouse Bench. This attractive and durable bench is designed for general greenhouse use and is ideal for potting plants, plant display, and plant maintenance.

This guide includes helpful hints and important information needed to safely assemble and maintain the cedar bench. Please read these instructions **before** you begin.

If you have any questions during the assembly, contact customer service for assistance.

### SAFETY PRECAUTIONS

- Wear eye protection.
- Wear head protection.
- Wear gloves when handling the components.
- Use a portable GFCI (Ground Fault Circuit Interrupter) when working with electric power tools and cords.
- Do not climb on the bench during or after assembly.

 **WARNING:** For safety reasons, those who are not familiar with the use of basic hand tools and assembly techniques are encouraged to *seek the help of a qualified contractor.*

### ASSEMBLY PROCEDURE

The steps below describe the basic bench assembly steps. Verify that all parts are included in the shipment. Contact customer service for questions or concerns.

Read these instructions and additional documentation (if any) included with the shipment **before** you begin.

1. Gather the tools and assistants as needed to assemble the bench.
2. Assemble the bench on a smooth, level surface.
3. Cover the area with cardboard or other material to protect the bench components during assembly.
4. Assemble the bench as described within this guide.
5. Read the care and maintenance information.
6. Complete and return all warranty information as instructed (if present).

### REQUIRED TOOLS

The following list identifies the main tools required to assemble the bench. *Additional tools may be needed.*

- Tape measure or measuring device
- Variable speed drill or driver (cordless with extra batteries works best)
- Square-headed driver bit and Phillips®-head bit to drive fasteners
- Carpenter's square to check assembled frame
- Pencil or comparable marker
- Hammers, gloves and eye protection
- Assistants (optional but recommended)
- Other basic hand tools as needed

### UNPACK AND IDENTIFY PARTS

The following steps help to ensure that you have all the necessary parts *before* you begin.

1. Unpack the contents of the shipment and place where you can easily inventory the parts. Refer to the Bill of Materials/Spec Sheets and this guide.
2. Verify that all parts listed on the Bill of Materials/Spec Sheets or within this guide are present. If anything is missing or you have questions, consult diagrams for clarification or contact customer service.

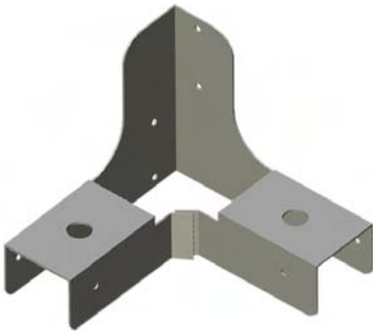
**NOTE:** At this time, you do not need to open the plastic bags containing smaller parts such as fasteners and clamps (if present).

### CARE AND MAINTENANCE

Proper care and maintenance is important. Check the following items periodically to properly and adequately maintain your cedar greenhouse bench:

- Regularly check the screws and braces to verify they are tight and in good condition.
- Do not climb or stand on the cedar bench at anytime.
- Do not overload bench with excessive weight.
- Replace all worn or damaged parts immediately.
- Bench is not designed to withstand the weight and forces resulting from the installation and use of clamps or vices. Do not attach vices or clamp devices to bench.
- For replacement or missing parts, call 1-800-245-9881 for assistance.

The parts shown below are specific to the assembly of the 2' x 8' cedar bench. *Graphics are not to scale.*



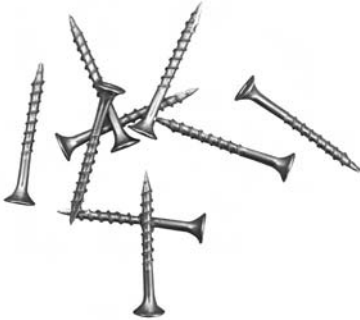
104636 Corner Connector  
Quantity: 4



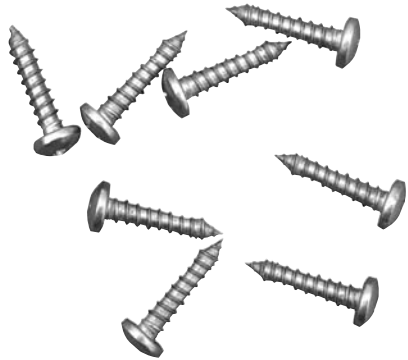
104638 "T" Connector  
Quantity: 4



104637 Angled Bracket  
Quantity: 12



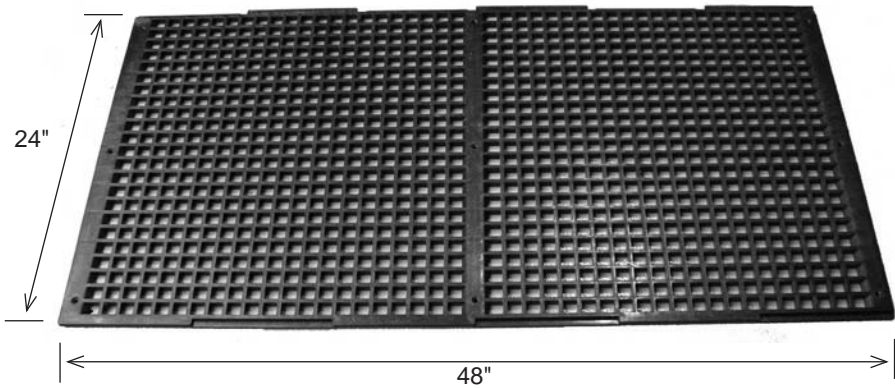
FAS11B #6 x 1-5/8" Fastener  
Quantity: 18



FAF25PB #8 x 3/4" Fastener  
Quantity: 200



FAS13B #10 x 2-1/2" Fastener  
Quantity: 45



HA2217 PolyMax®  
Quantity: 2

**#108290**  
**Premium Cedar Greenhouse**  
**Bench (2' x 8')**

The parts shown below are specific to the assembly of the 2' x 8' cedar bench. *Graphics are not to scale.*



**10513610**  
Horizontal Support  
(Center Legs): 1  
1-1/2" x 2-1/2" x 10"



**10513619**  
Horizontal Support  
(End Legs): 2  
1-1/2" x 2-1/2" x 19"



**10513621**  
Bench Top Support: 6  
1-1/2" x 2-1/2" x 21"



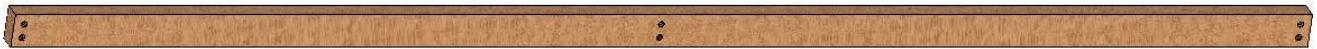
**10513627AD**  
Center Leg: 1  
1-1/2" x 2-1/2" x 27"



**10513627BD**  
Center Leg: 1  
1-1/2" x 2-1/2" x 27"



**10513627D**  
Corner Legs: 4  
1-1/2" x 2-1/2" x 27"



**10513696AD**  
Lower Braces: 2  
1-1/2" x 2-1/2" x 96"



**10513696BD**  
Bench Top Sides: 2  
1-1/2" x 2-1/2" x 96"

**STEP ONE: ASSEMBLE BENCH TOP FRAME**

Required parts:

- 6 lengths of 1-1/2" x 2-1/2" x 21" cedar (10513621)
- 2 lengths of 1-1/2" x 2-1/2" x 96" cedar (10513696BD)
- 4 corner brackets (104636)
- 4 angled bracket (104637)
- 4 "T" brackets (104638)
- FAF25PB #8 x 3/4" screws
- FAS13B #10 x 2-1/2" screws (24)

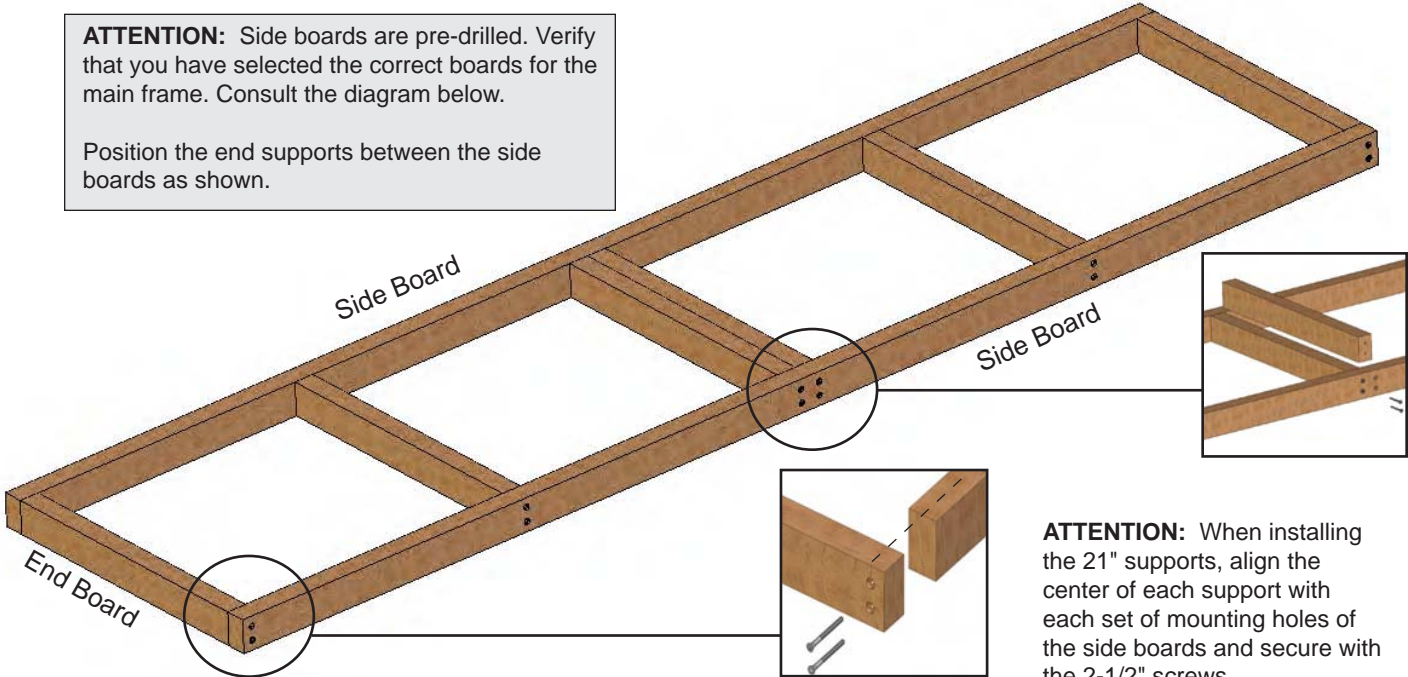
Complete these steps:

- Position the six (6) 1-1/2" x 2-1/2" x 21" cedar supports between the two (2) 96" side boards of the bench top frame and secure using the FAS13B screws (#10 x 2-1/2" screws). (To construct the basic frame, secure the two end boards between the side boards and then attach the remaining supports.)

Verify that the two (2) end boards are flush with the ends of the side boards and positioned *between* the side boards. Center the four (4) inside 21" boards with the pre-drilled holes of the side boards and secure using the 2-1/2" screws. *To prevent stripping screw holes or splitting the wood, do not overtighten the screws.*

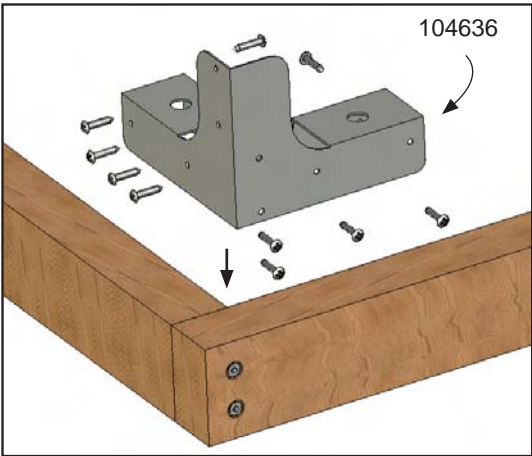
**ATTENTION:** Side boards are pre-drilled. Verify that you have selected the correct boards for the main frame. Consult the diagram below.

Position the end supports between the side boards as shown.



**ATTENTION:** When installing the 21" supports, align the center of each support with each set of mounting holes of the side boards and secure with the 2-1/2" screws.

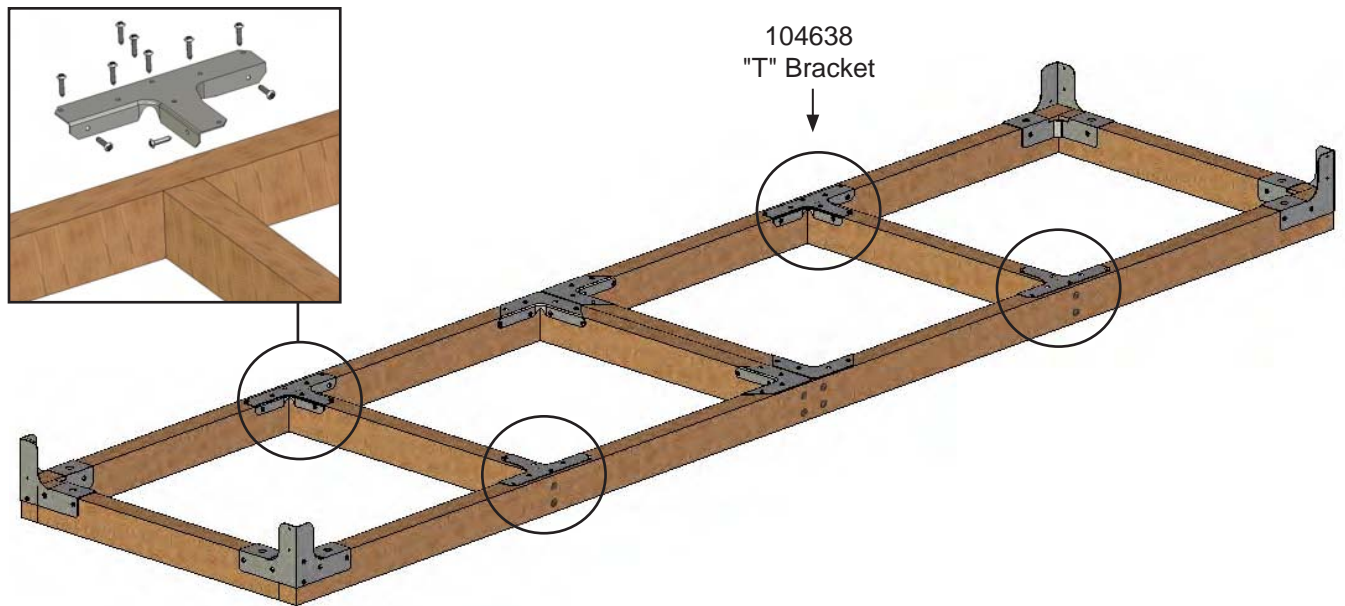
- Install the four (4) corner brackets. Secure using the FAF25PB screws.



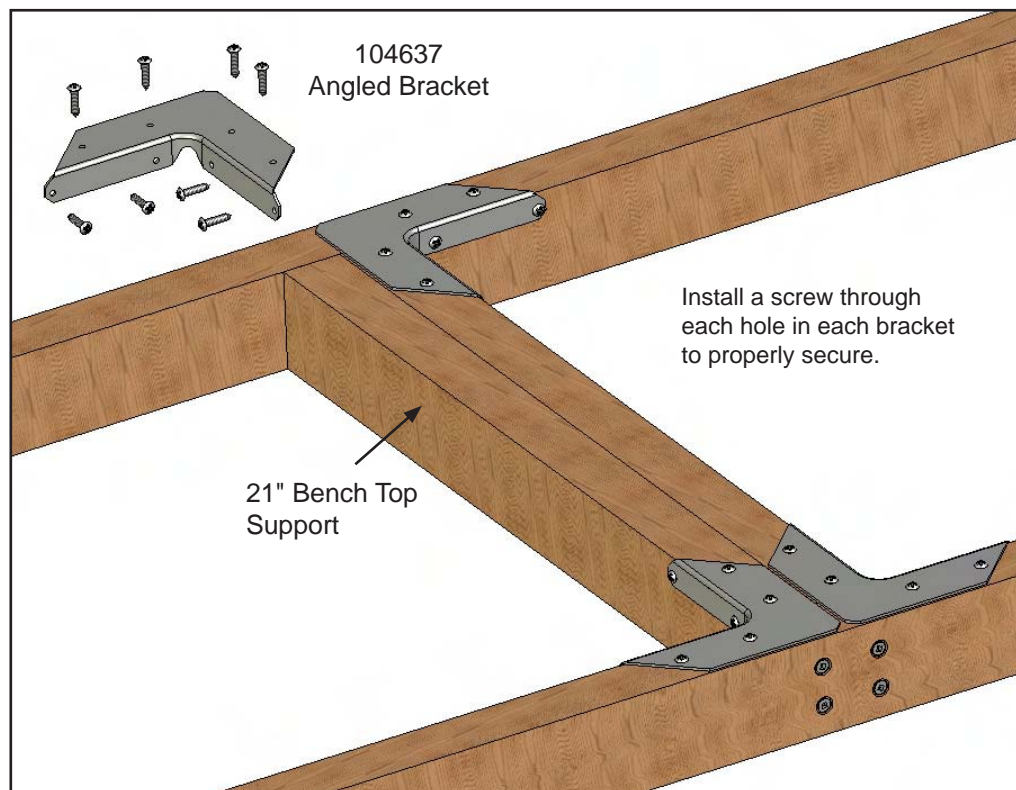
## Cedar Bench

### STEP ONE: ASSEMBLE BENCH TOP FRAME (continued)

- c. After installing the corner brackets, attach the 104638 "T" brackets. Secure using the FAF25PB screws.



- d. Secure the two center 21" bench top supports using four (4) 104637 brackets and the FAF25PB screws. *Do not overtighten screws.*

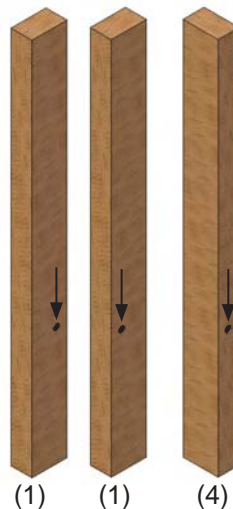


- e. Attach the legs to the assembled frame.

## STEP TWO: ATTACH THE LEGS

Required parts:

- 8 brackets (104637 angled bracket)
- FAF25PB #8 x 3/4" screws
- FAS13B #10 x 2-1/2" screws (6)
- 1 length of 1-1/2" x 2-1/2" x 10" cedar (10513610)
- 2 lengths of 1-1/2" x 2-1/2" x 19" cedar (10513619)
- 6 lengths of 1-1/2" x 2-1/2" x 27" cedar - legs (10513627AD, 10513627BD, 10513627D)



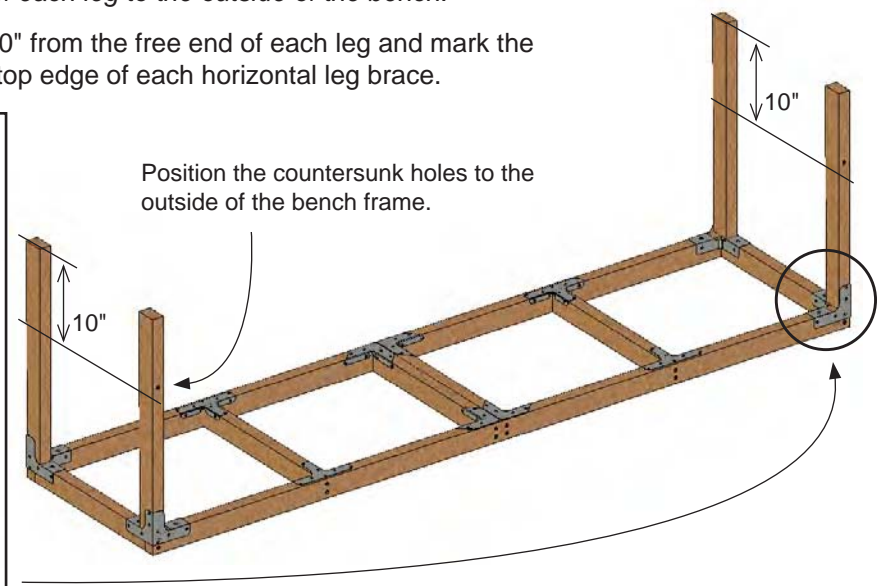
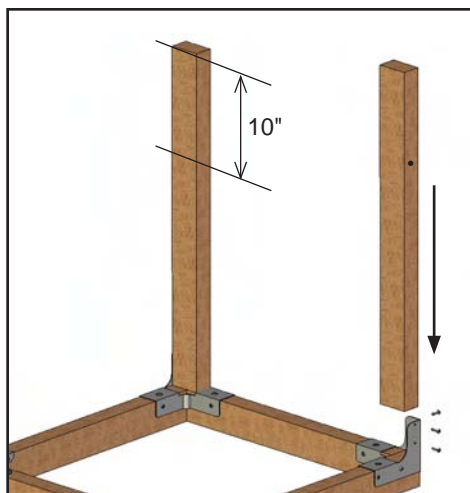
**IMPORTANT:** The location of the countersunk hole determines leg position on the frame:

- **Center Legs:** Two (2) cedar boards each with an off-set countersunk hole on the 2-1/2" face. (10513627AD and 10513627BD)
- **Corner Legs:** Four (4) boards each with the countersunk hole centered on the 1-1/2" face of the board. (10513627D)

← Corner Legs

Complete these steps:

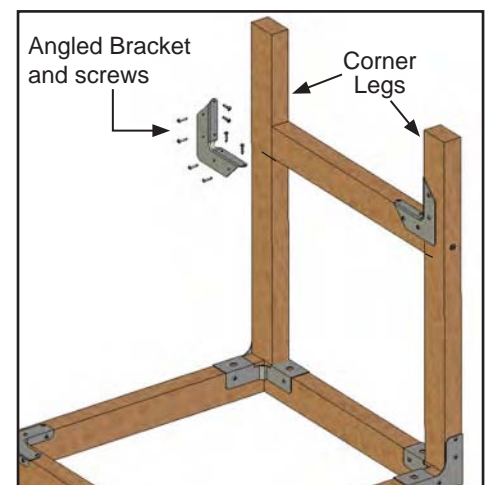
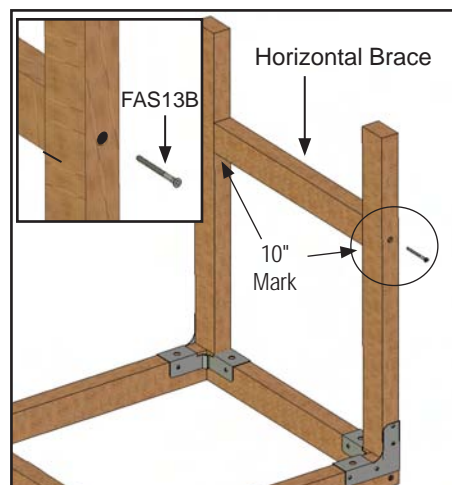
- Attach one 1-1/2" x 2-1/2" x 27" cedar leg at each corner using the FAF25PB #8 x 3/4" screws. Position the countersunk hole of each leg to the outside of the bench.
- With the corner legs secure, measure 10" from the free end of each leg and mark the location. Lines mark the position of the top edge of each horizontal leg brace.



- Take the two 1-1/2" x 2-1/2" x 19" horizontal braces, align the edge of each brace with the mark on each leg, and secure one brace between each set of legs using the FAS13B (2-1/2") screws. Align the countersunk hole in the leg with the center of the horizontal brace. Tighten screws until snug. *Do not overtighten.*

- Using the FAF25PB #8 x 3/4" screws, secure two 104637 angled brackets to the leg and horizontal brace as shown. Install the bracket so that it is on the underside of the leg assembly when the bench is standing on its legs.

- Repeat steps for the remaining pair of legs.



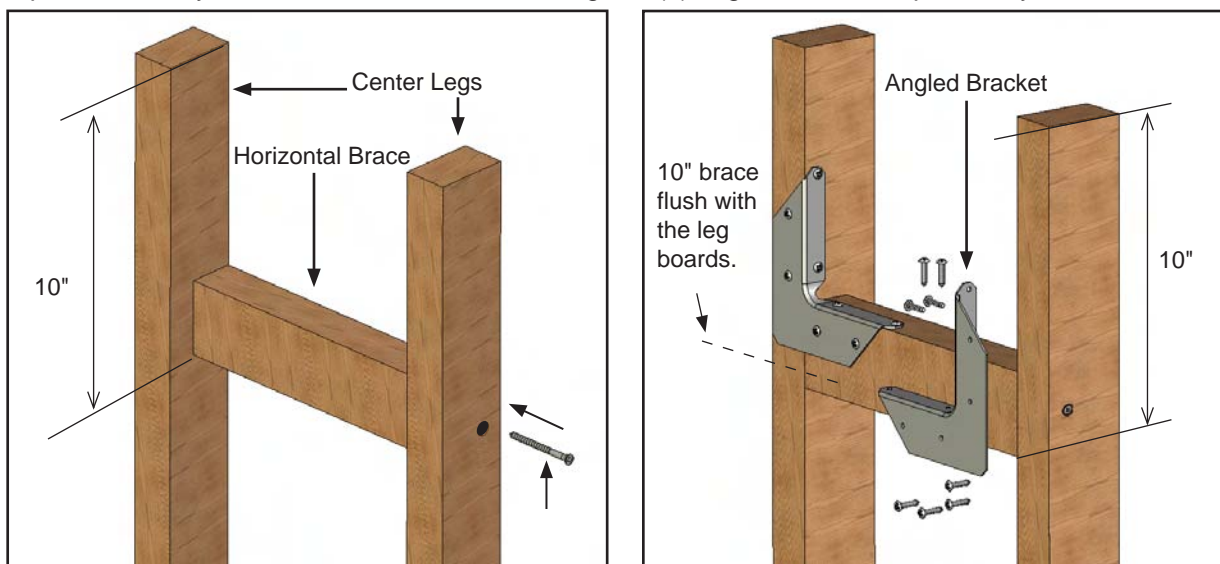
## Cedar Bench

### STEP TWO: ATTACH THE LEGS

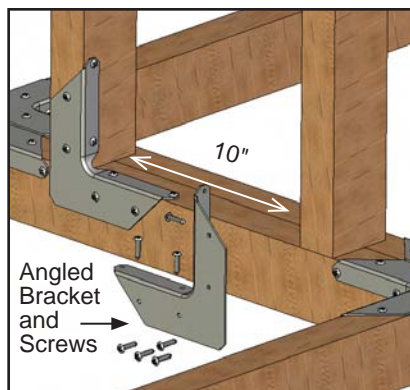
- f. Take the two (2) center legs, measure 10" from the end closest to the countersunk hole on the board, and mark the location. This marks the top edge of each horizontal leg brace *when the bench is setting upright on its legs*.
- g. Place the 1-1/2" x 2-1/2" x 10" horizontal support brace between the center legs, align the edge of the brace with the mark on the legs, and secure using the FAS13B screws. The countersunk hole in the leg will align with the center of the 10" horizontal brace.

**NOTE:** The horizontal support brace is flush to the outside of the legs on one side and off-set on the other side when correctly attached. See diagram below.

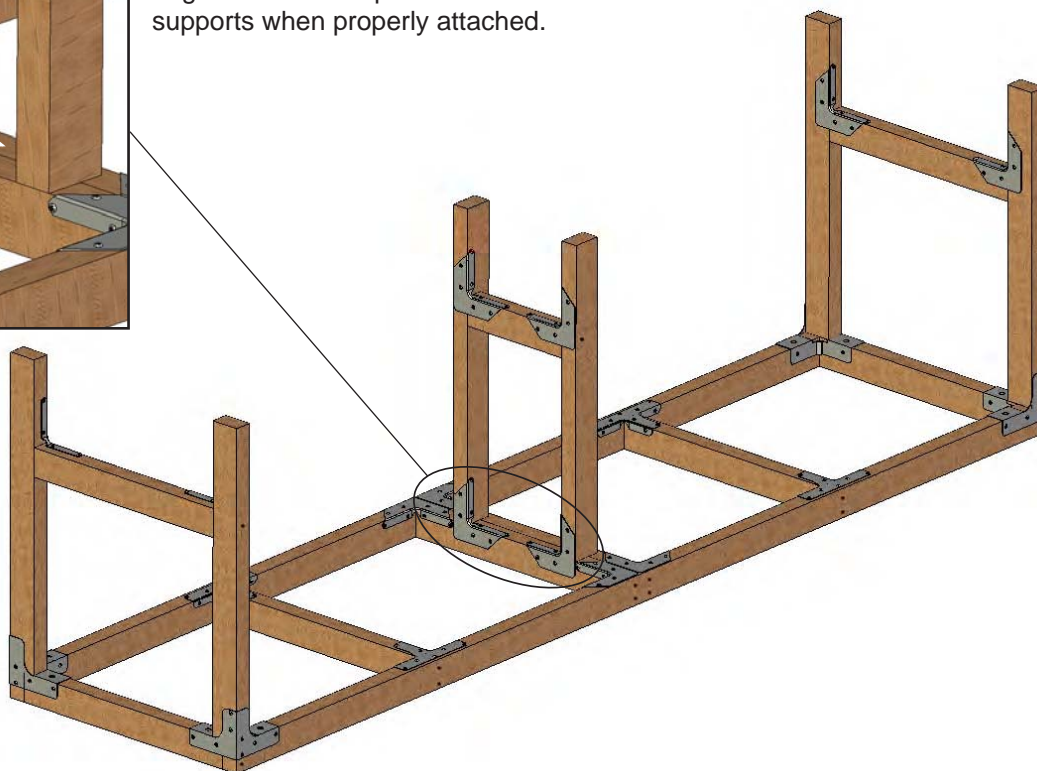
- h. Flip the assembly around and attach the remaining two (2) angle brackets as previously described.



- i. Center the legs and brace on the frame and attach using two (2) 104637 angled brackets. Secure the brackets using the FAF25PB screws. Verify that the free ends of the legs are 10" apart. See diagram.



**NOTE:** The legs are flush against one edge of the center pair of bench frame supports when properly attached.



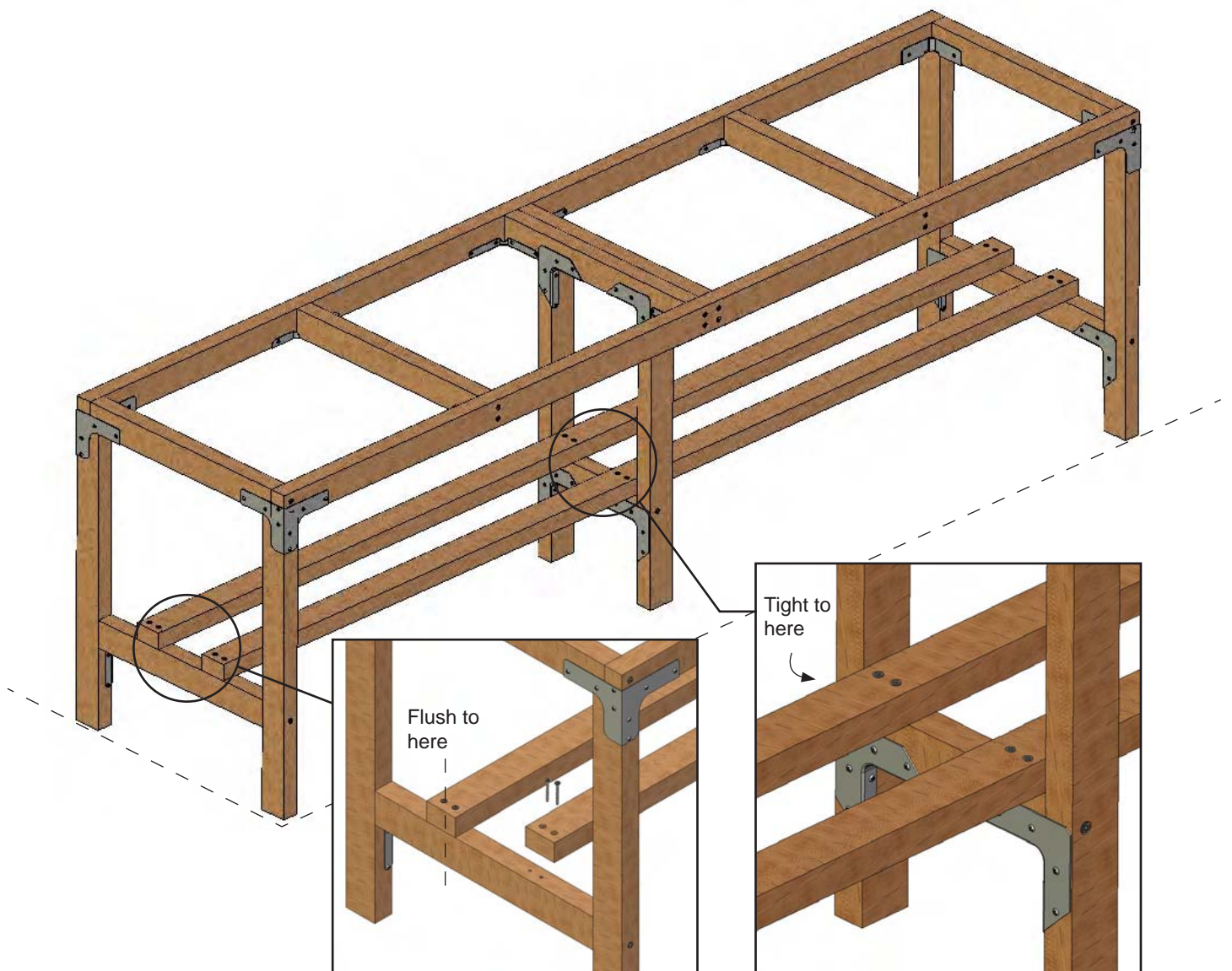
**STEP THREE: ATTACH THE REMAINING LEG BRACES AND POLYMAX® PANELS**

Required parts:

- 2 lengths of 1-1/2" x 2-1/2" x 96" cedar (10513696AD)
- FAS13B #10 x 2-1/2" screws (12)
- 4 HA2217 Poly Max® panels
- FAS11B #6 x 1-5/8" screws (18)

Complete these steps:

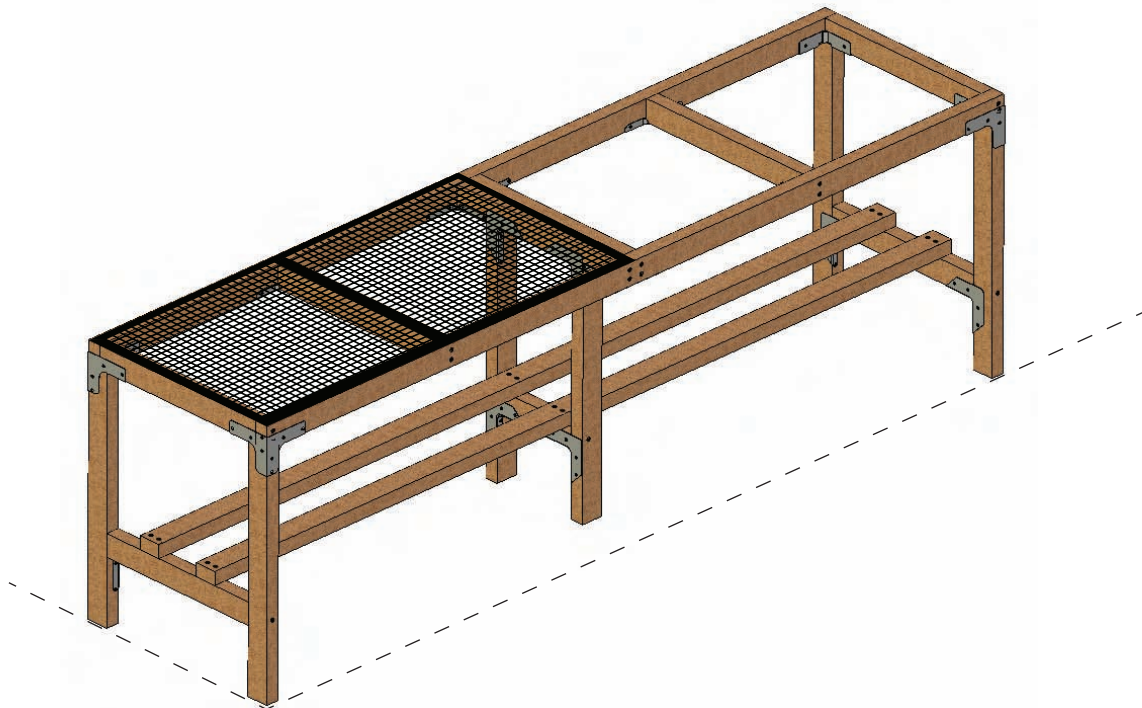
- With assistance, flip the assembled bench over onto its legs and attach the final two 96" cedar braces using the FAS13B #10 x 2-1/2" screws. *Braces run along the top of each horizontal leg brace.* Verify that the ends of each brace are flush to the outside of each end horizontal leg brace and tight against the center leg as shown then install the screws.



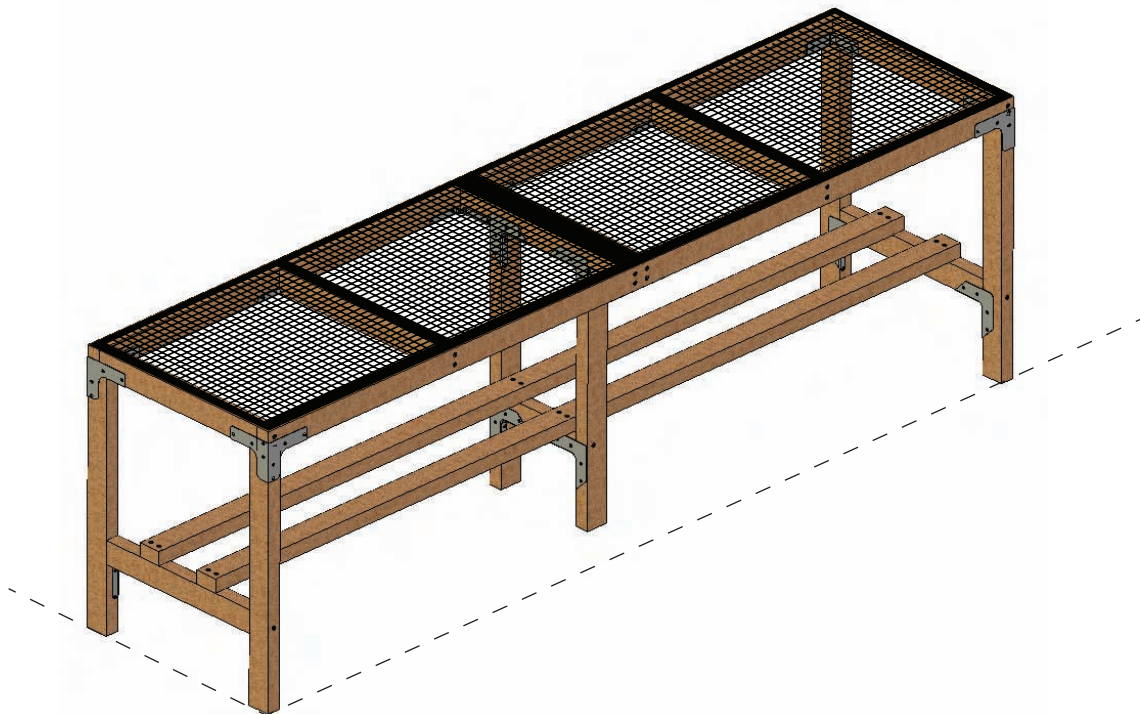
## Cedar Bench

### STEP THREE: ATTACH REMAINING LEG BRACES AND POLYMAX® PANELS

- b. Take one HA2217 panel and place it on the bench. Square the panel on the frame and secure using the FAS11B #6 x 1-5/8" screws.

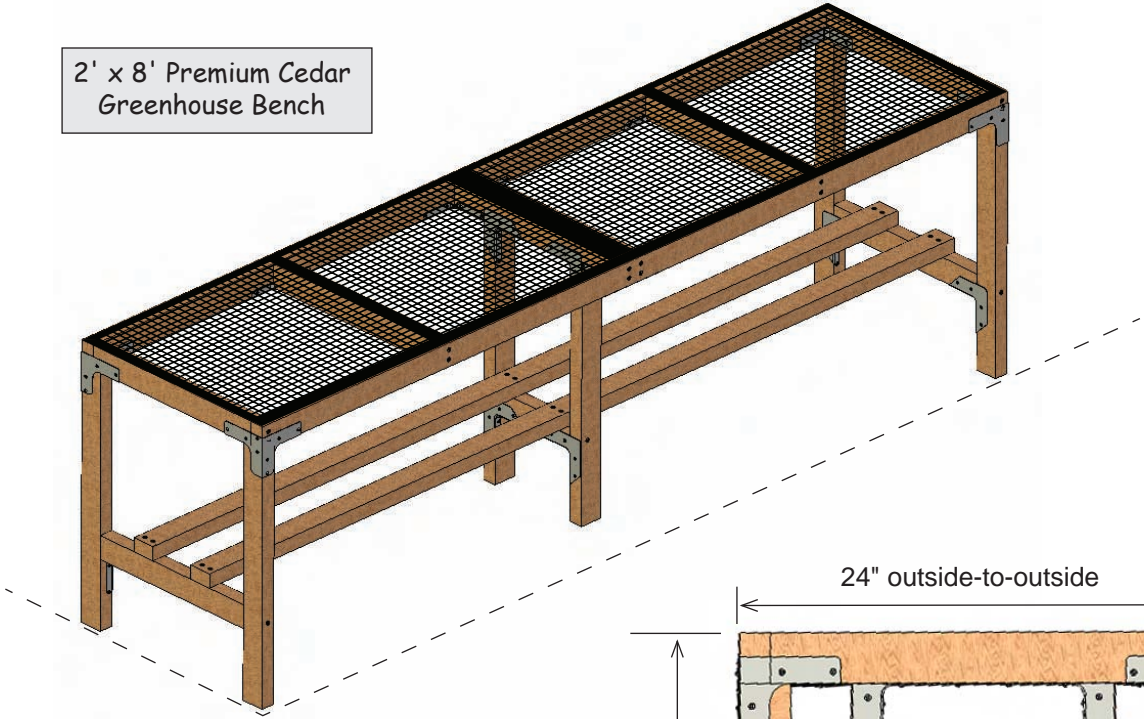


- c. Set the remaining panel in place and secure using the FAS11B #6 x 1-5/8" screws.



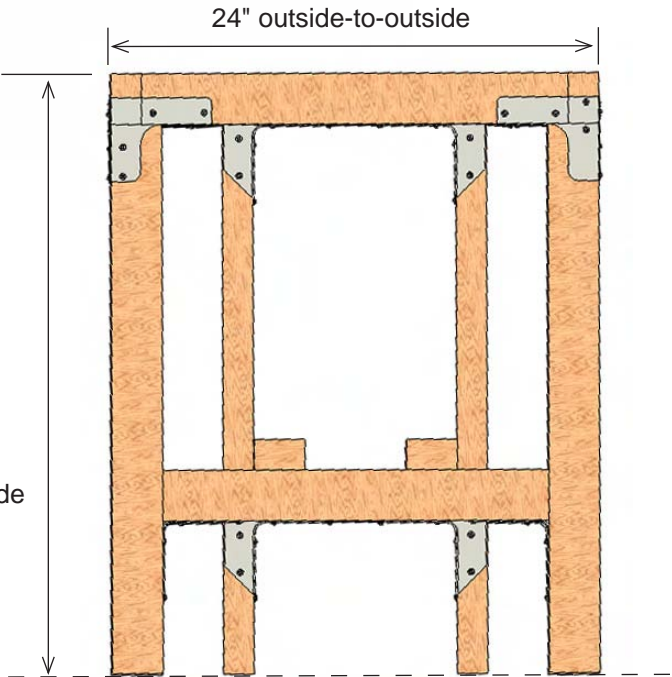
- d. Read the care and maintenance information at the beginning of this guide and use the bench.

2' x 8' Premium Cedar  
Greenhouse Bench



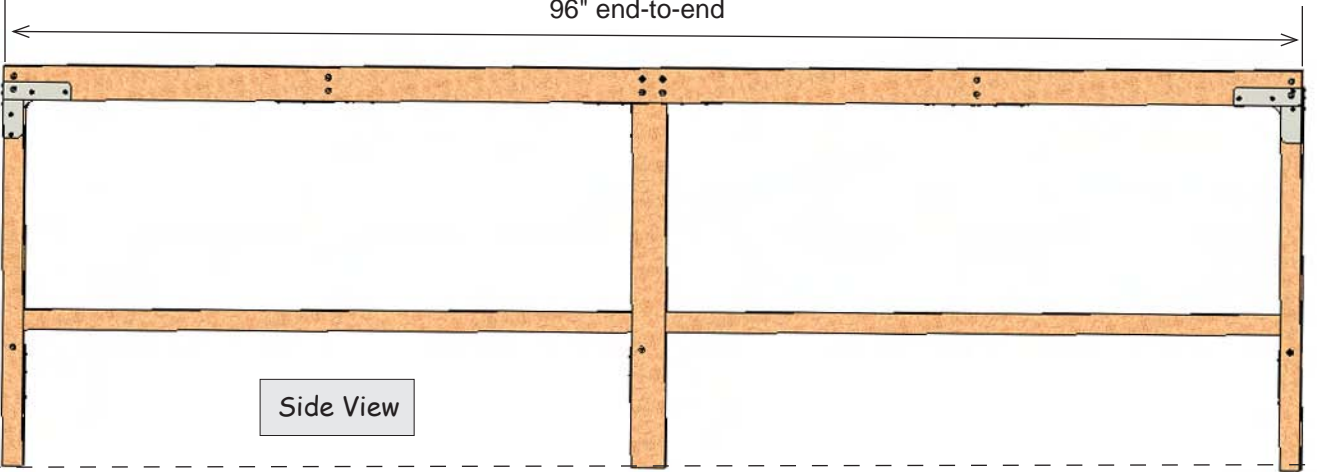
End View

30"  
outside-to-outside

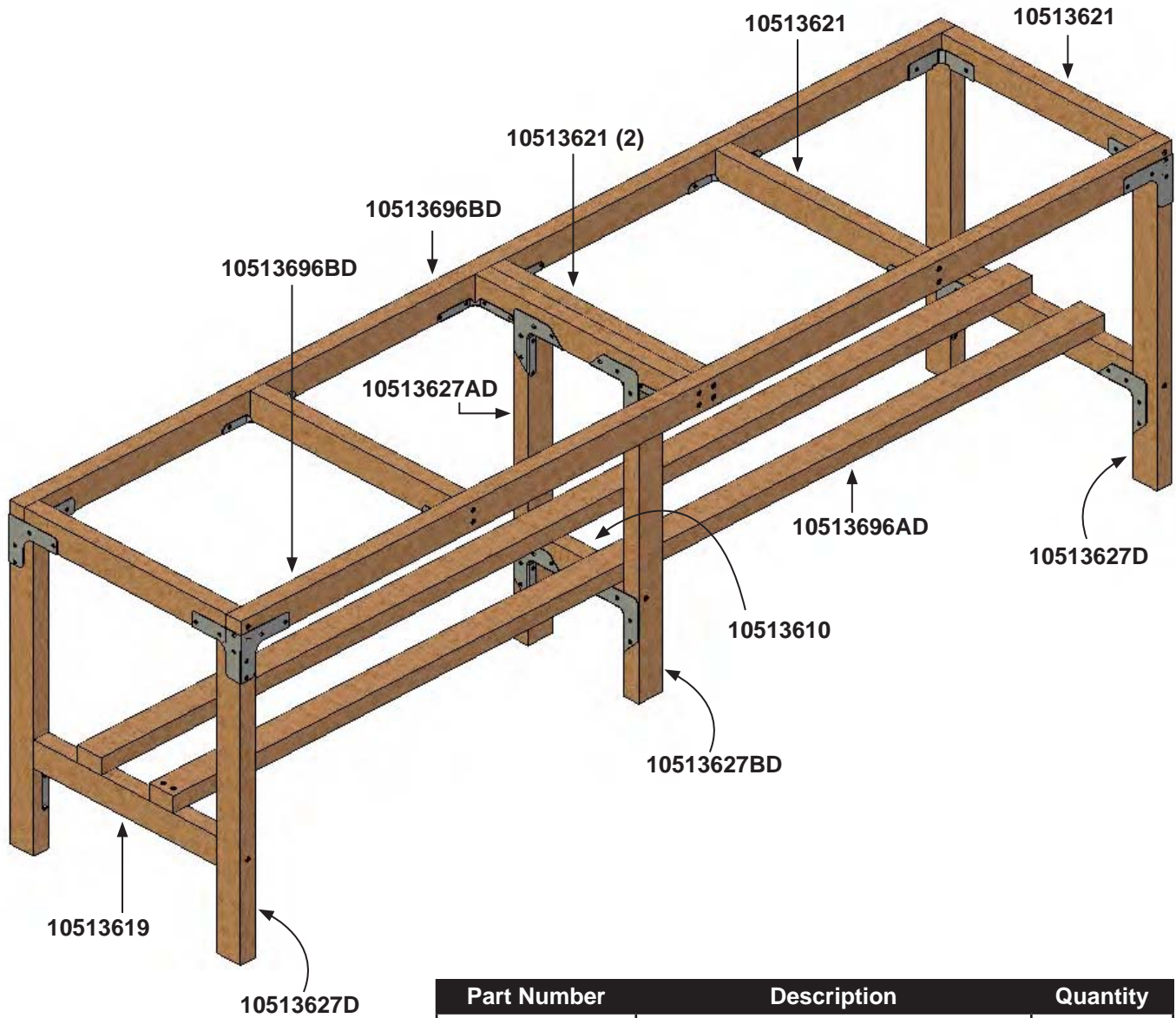


Side View

96" end-to-end



## 108290 Parts List - Cedar only



Part Number	Description	Quantity
10513610	Horizontal Support (Center Legs)	1
10513619	Horizontal Support (End Legs)	2
10513621	Top Bench Support	6
10513627AD	Center Leg	1
10513627BD	Center Leg	1
10513627D	Corner Legs	4
10513696AD	Lower Braces	2
10513696BD	Bench Top Sides	2