



DOSATRON®

WATER POWERED DOSING TECHNOLOGY

SCHEMATICS

Dosatron Liquid Dispenser **Model # D45RE15 – 20 GPM**

1:500 – 1:66

7 – 70 PSI

Suggested Installation:

200 mesh/80 micron water filter prior to unit

One-way check valve downstream from unit for water hammer protection

Suggested Maintenance Interval:

Replace injection seals every 12 months

DOSATRON SALES & SERVICE - NORTH & CENTRAL AMERICA

Dosatron International, Inc.

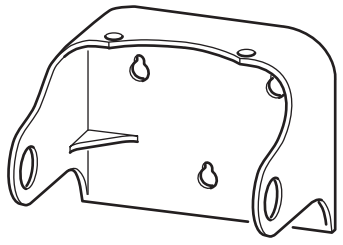
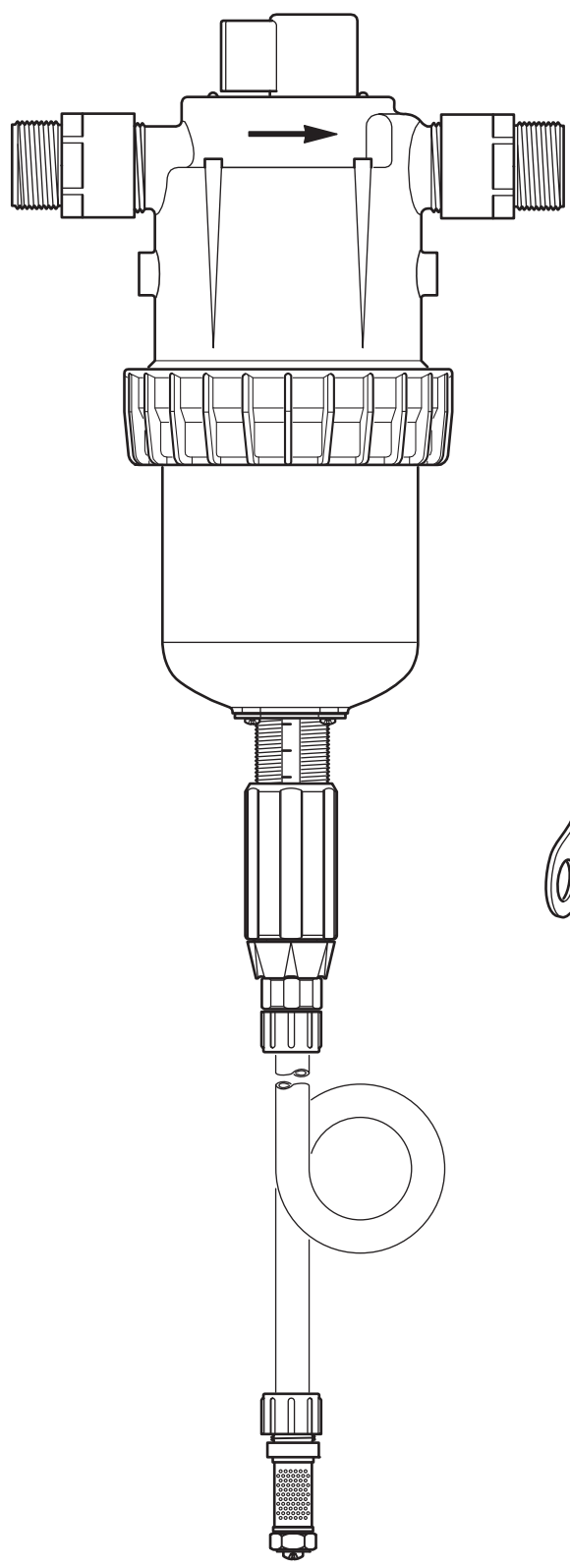
Phone: 727-443-5404 Service: (800) 523-8499

Fax: 727-447-0591

www.dosatronUSA.com

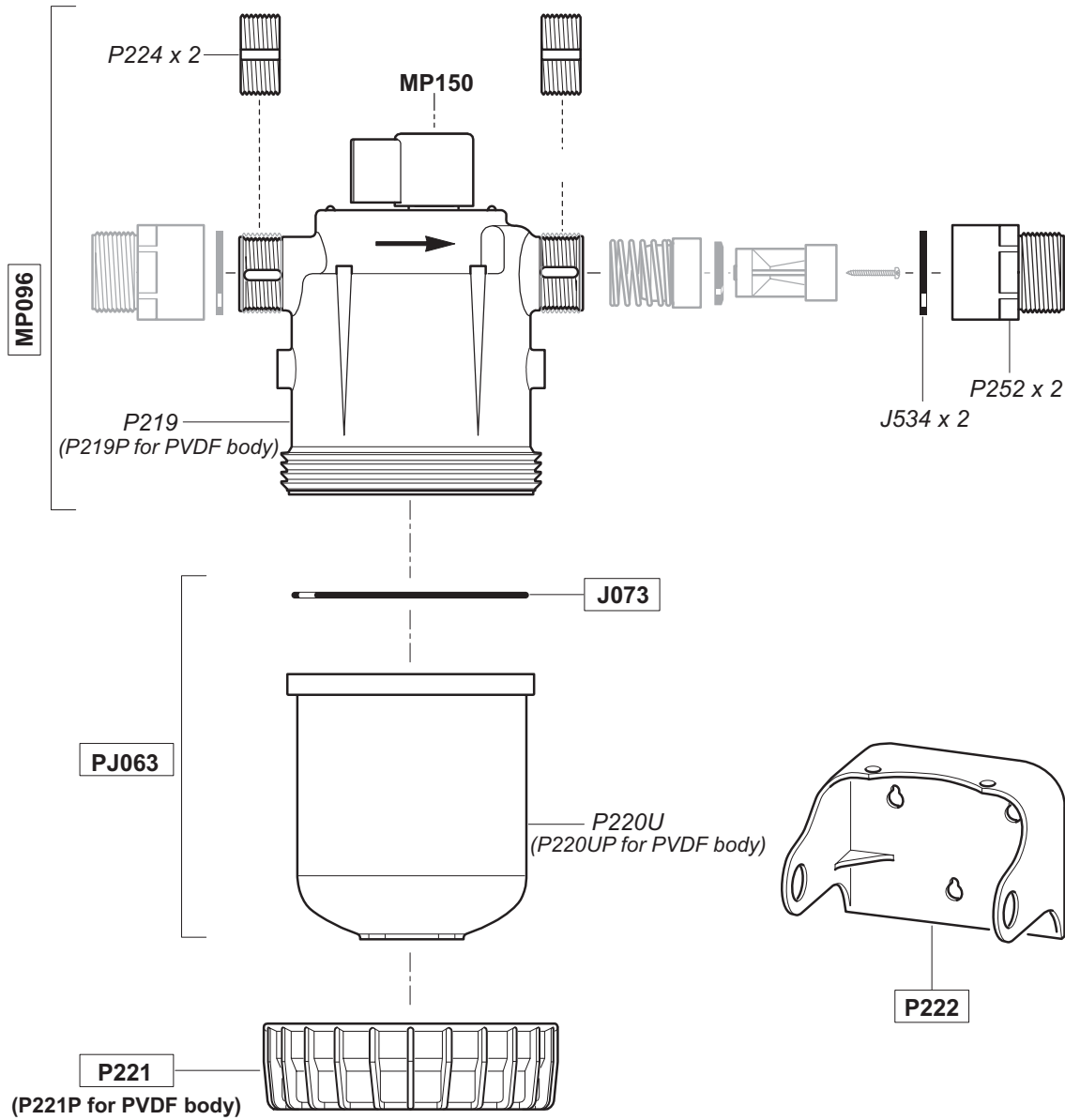
D45RE1.5
11/03

20 GPM - 1:500 - 1:67
7 - 70 psi



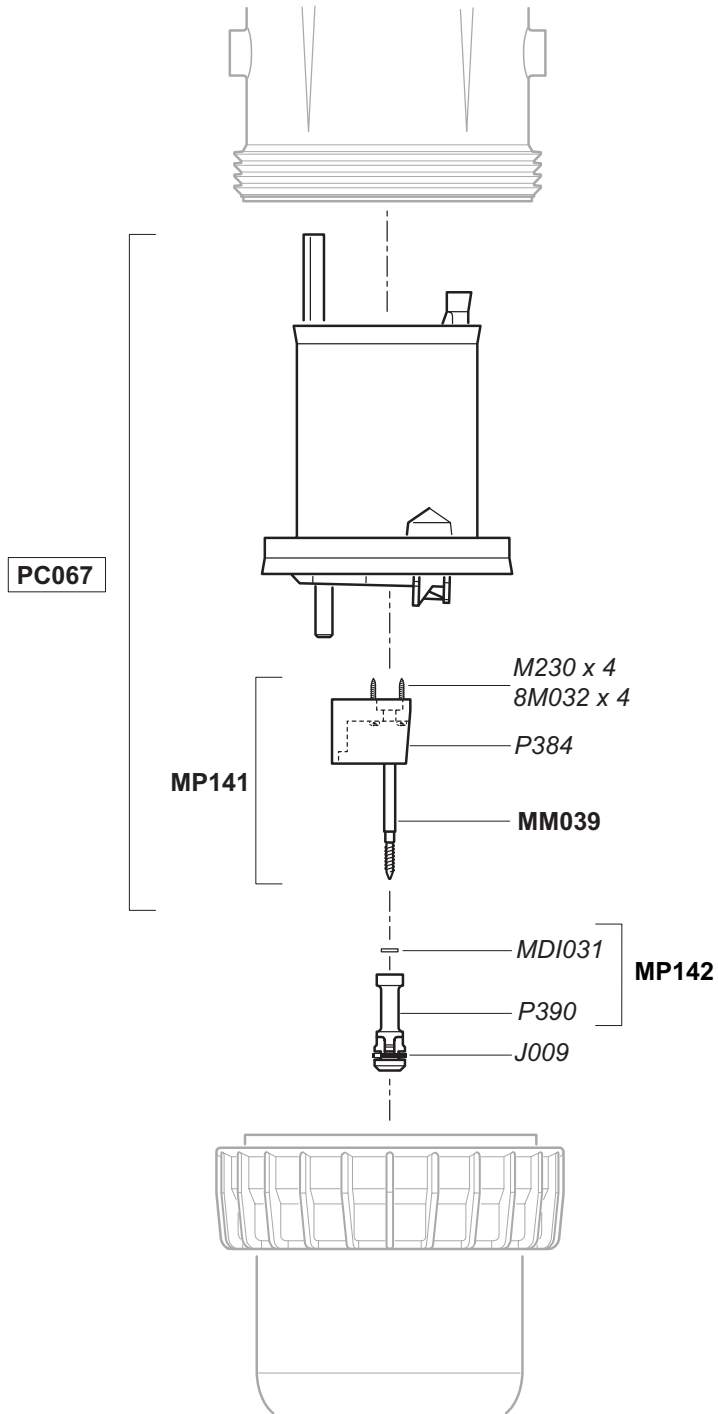
D45RE1.5
11/03

20 GPM - 1:500 - 1:67
7 - 70 psi



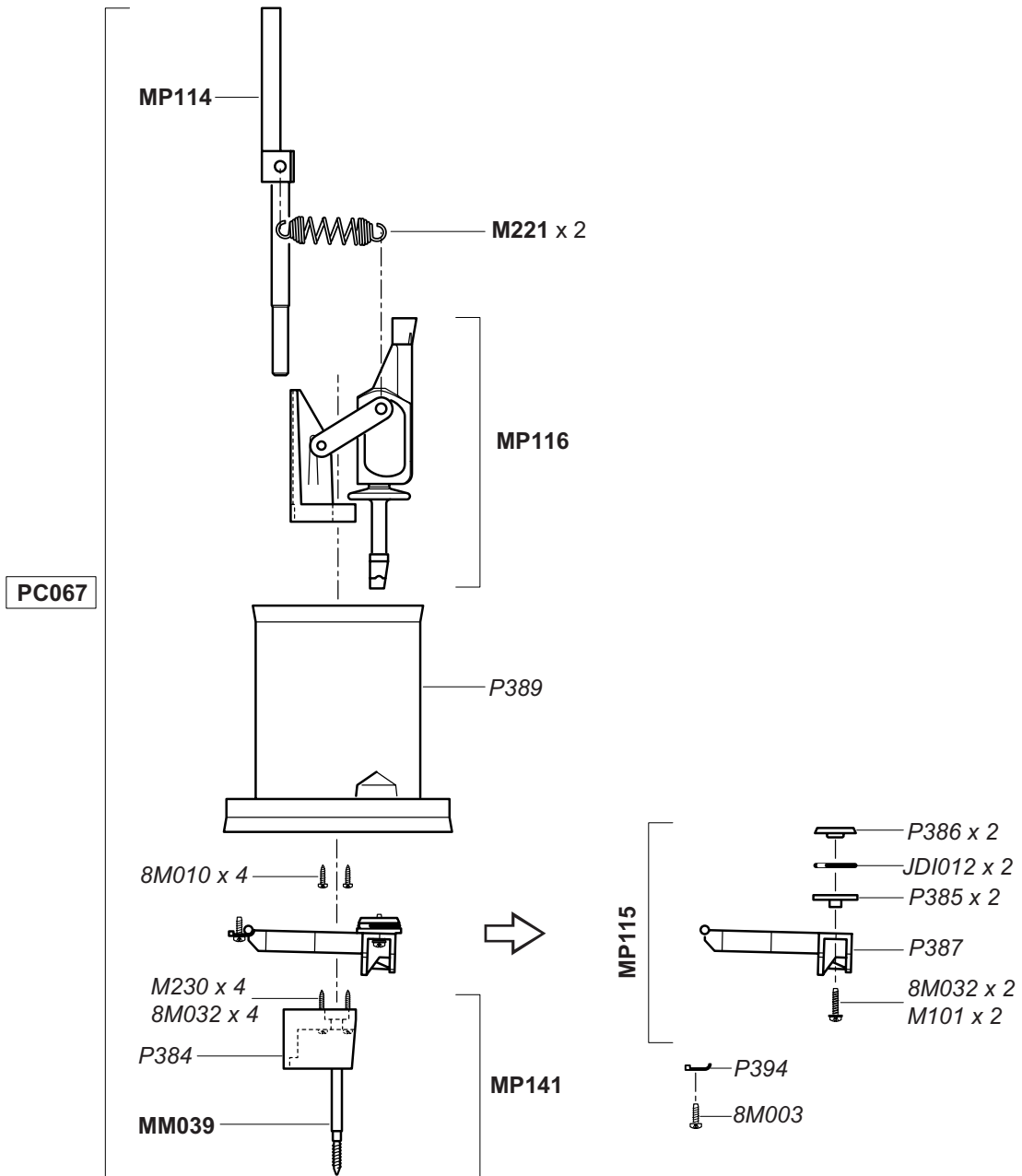
D45RE1.5
11/03

20 GPM - 1:500 - 1:67
7 - 70 psi



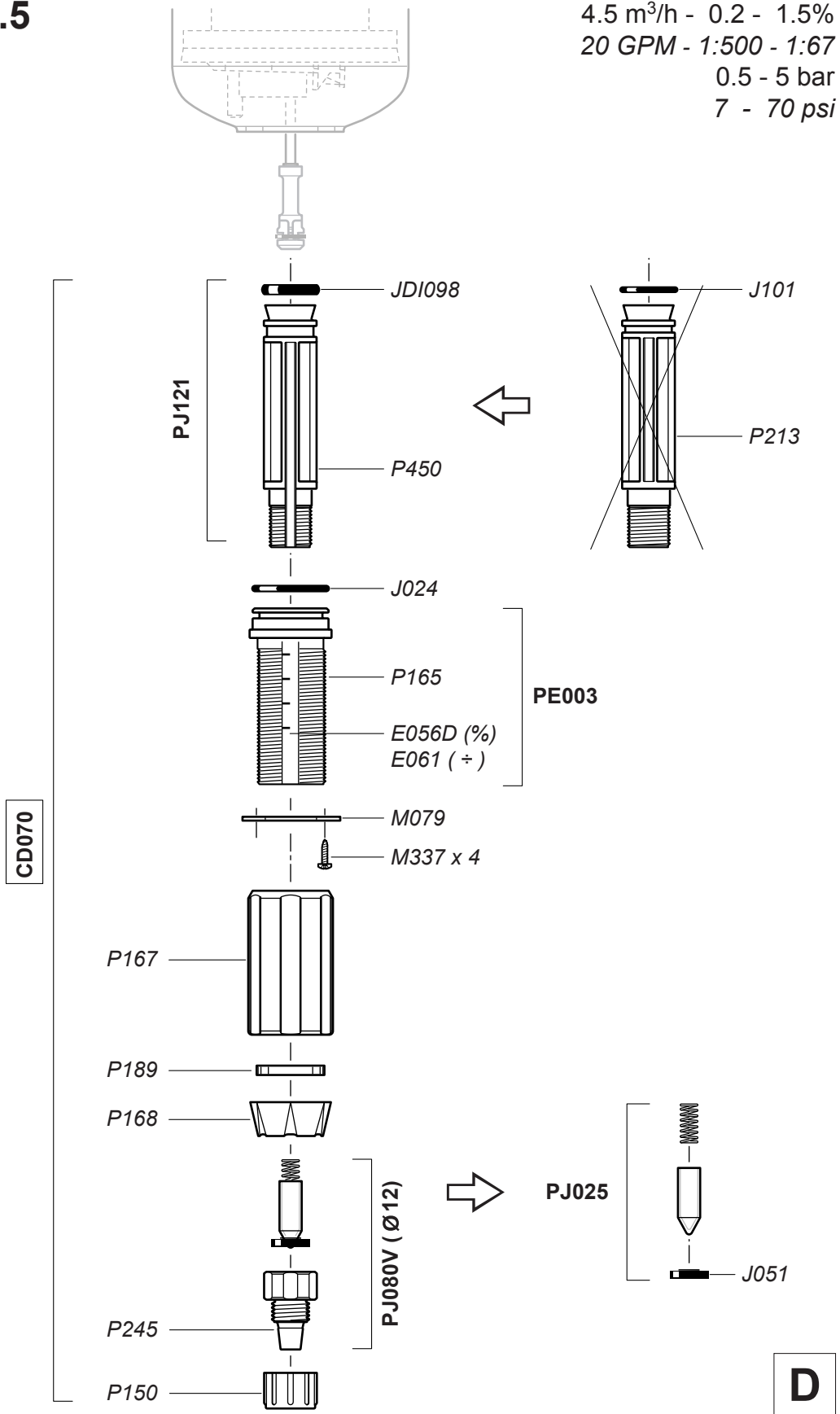
D45RE1.5
11/03

20 GPM - 1:500 - 1:67
7 - 70 psi



D45RE1.5

4.5 m³/h - 0.2 - 1.5%
 20 GPM - 1:500 - 1:67
 0.5 - 5 bar
 7 - 70 psi



D45RE1.5
11/03

20 GPM - 1:500 - 1:67
7 - 70 psi

